

## **Unit 1 Starting science**

### **A Multiple-choice questions**

1. B
2. C
3. B
4. A
5. D
6. B
7. A
8. B
9. B
10. B

### **B True or false questions**

1. F
2. F
3. F
4. F
5. T

## **C** Fill-in-the-blanks

1. safety precautions
2. hazard warning label
3. wire gauze
4. measuring cylinder
5. yellow

## **D** Short questions

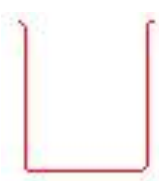
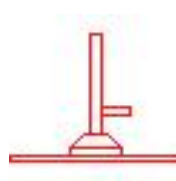
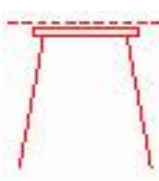
1. (a) Flammable  
(b) Corrosive  
(c) Toxic
2. Use the beaker to hold water at the beginning. Use the measuring cylinder to measure 50 mL of water and pour it into the reagent bottle. Then use the syringe to draw 2 mL of water and put/squeeze it into the reagent bottle.
- E3. It is striking back.  
It occurs because the air hole is fully opened when the Bunsen burner is lit.
4. (a) Making hypothesis  
(b) Making observation  
(c) Doing experiments  
(d) Asking questions  
(e) Making conclusion
5. Material to make the parachute, size of the parachute, shape of the parachute, length of the pieces of strings (any THREE or other reasonable answers)

## E Long questions

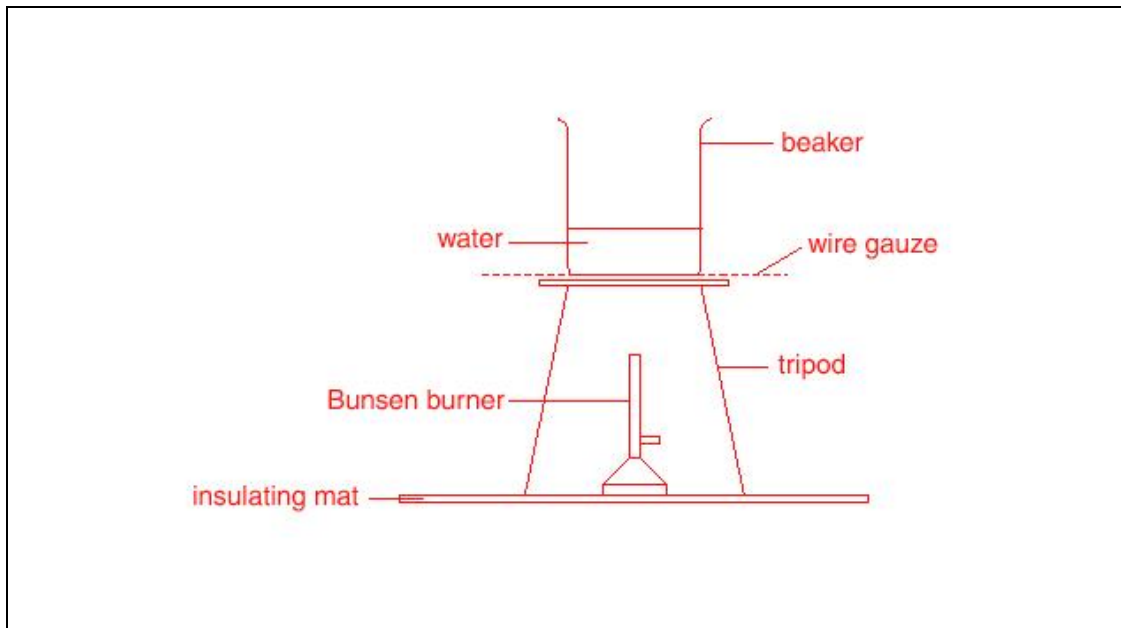
1(a)

	<b>Name(s) of the piece(s) of apparatus</b>	<b>Use(s) of the piece(s) of apparatus</b>
(1)	Test-tube holder	To hold a test-tube when heating.
(2)	Beaker	To contain solids or liquids.
(3)	Stand and clamp	To fix the position of apparatus.
(4)	Bunsen burner and insulating mat	The Bunsen burner is used to heat objects. The insulating mat is used to protect the bench from over-heating.
(5)	Wire gauze and tripod	The wire gauze is used to support apparatus. The tripod is used to support the wire gauze.

(b)

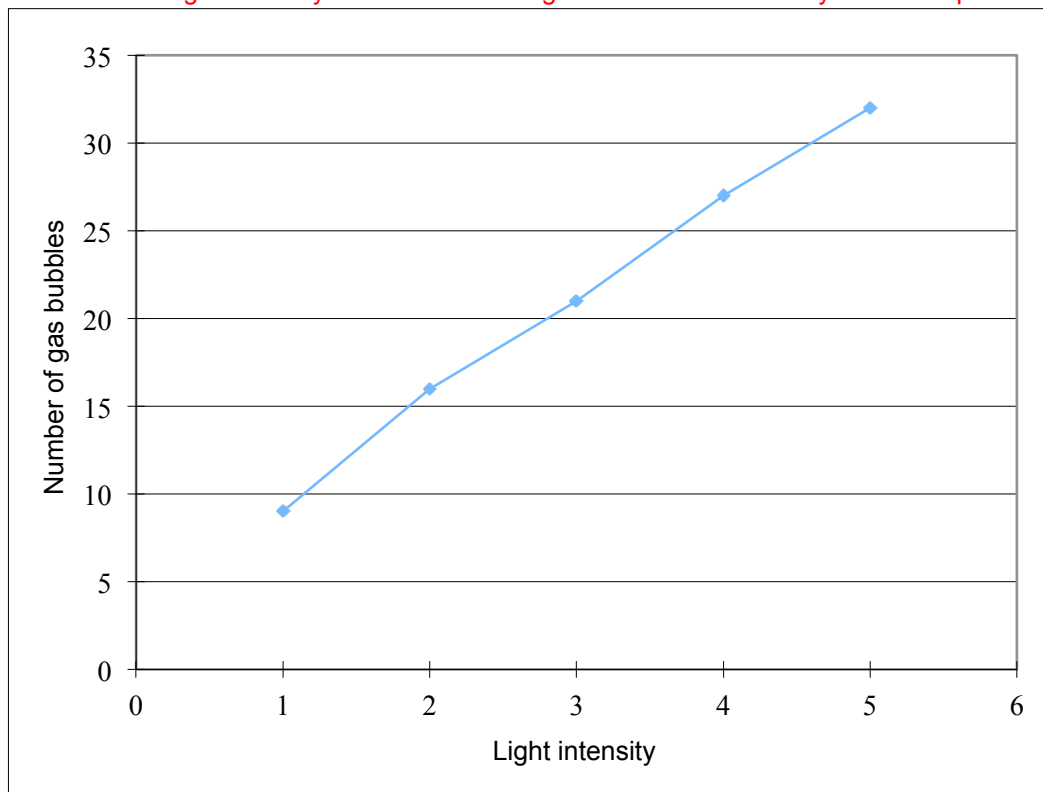
(2) 	(4) 	(5) 
--	--	--

(c)



2 (a) The lamp could be placed at different distances from the plant. The light intensity decreased with increase in distance of the lamp from the plant.

(b) The effect of light intensity on the number of gas bubbles released by the water plant



- (c) Temperature, amount of water in the glass vase (any ONE or other reasonable answers)
- (d) The number of gas bubbles increases with increase in light intensity.

- 3
- (a) The batteries used for the two bulbs were not the same.
  - (b) Use new batteries of the same brand for the two bulbs.
  - (c) Distance between the glass plate and each of the two bulbs, thickness of the piece of white paper, glass plate used for the two bulbs (any TWO or other reasonable answers)
  - (d) Brand A